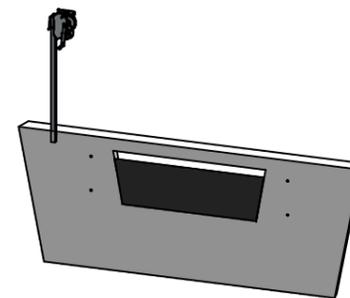
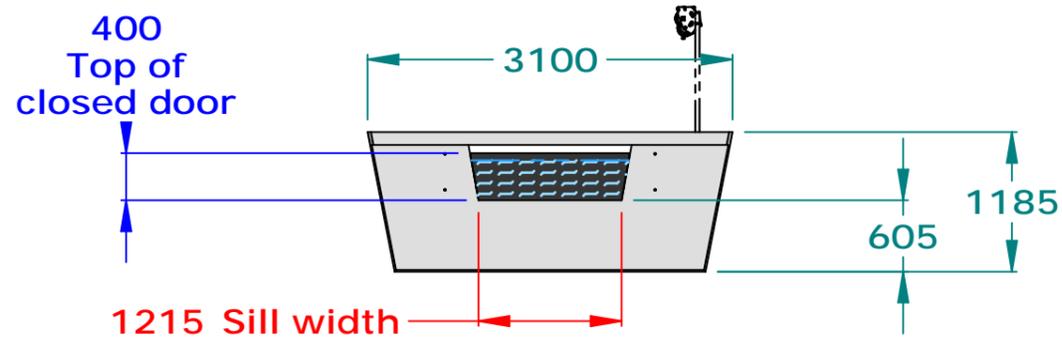
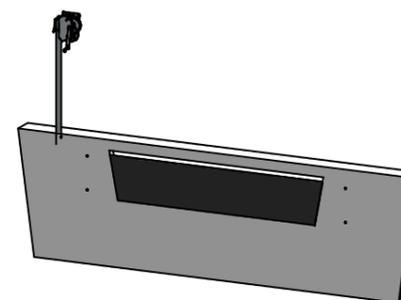
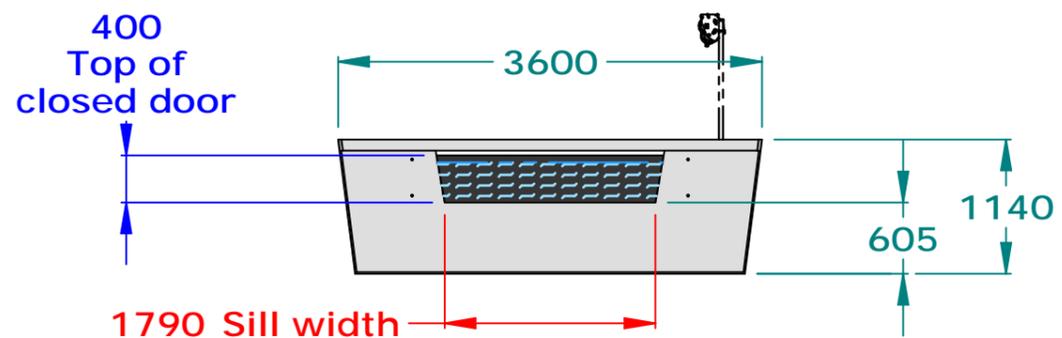


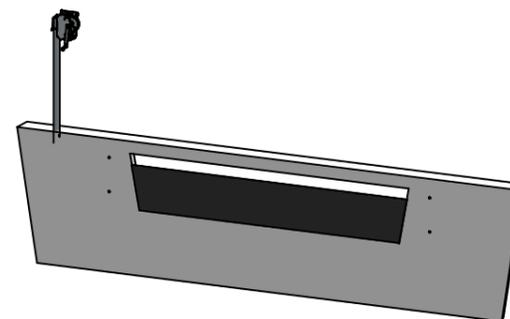
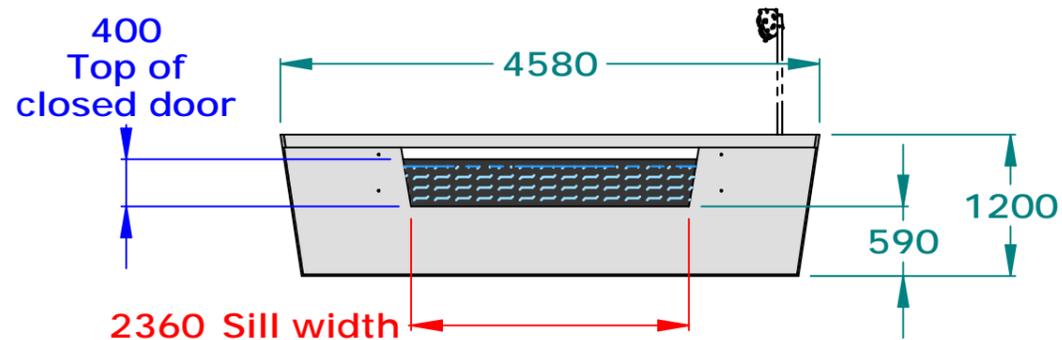
E3 Flat Stop



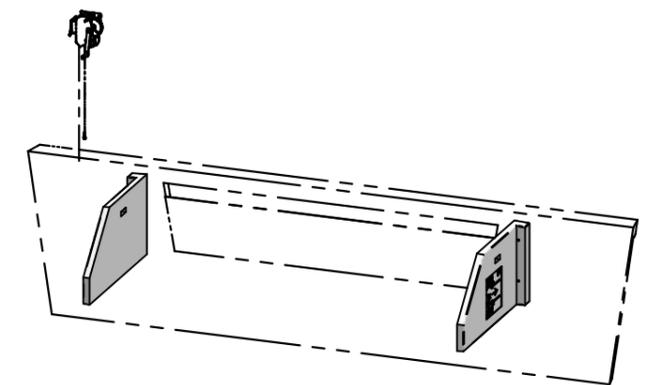
E4 Flat Stop



E6 Flat Stop



E8 Flat Stop



Downstream Buttress Wings are optional but recommended

- Recommended is 100mm of freeboard on the upstream side of the rubber door.

## E Series Flat Stops

© Padman Stops. This document is and shall remain the property of Padman Stops. Unauthorised use of this document in any form is prohibited. Patents may apply.

All dimensions in millimetres unless otherwise stated.

info@padmanstops.com.au  
tel. 03 5874 5282

