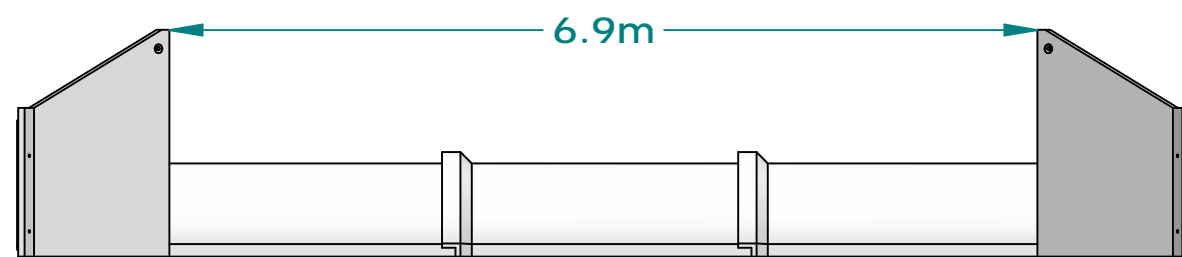
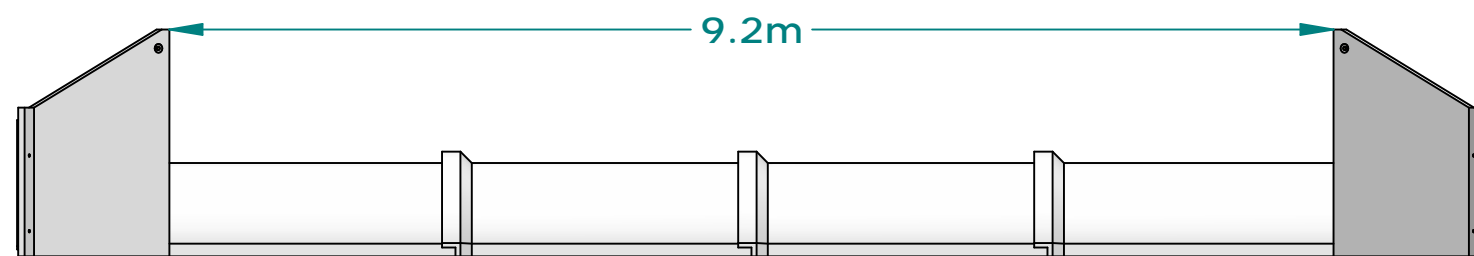


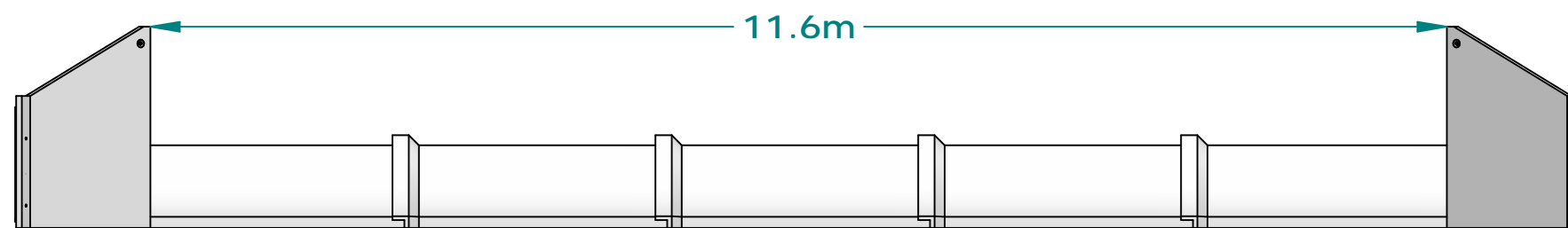
- 2 HH1200 - 1800Hx1100H
- 1 Maxiflow 1200 - Centre - Male-Male
- 1 Maxiflow 1200 - Centre - Female-Male



- 2 HH1200 - 1800Hx1100H
- 1 Maxiflow 1200 - Centre - Male-Male
- 2 Maxiflow 1200 - Centre - Female-Male



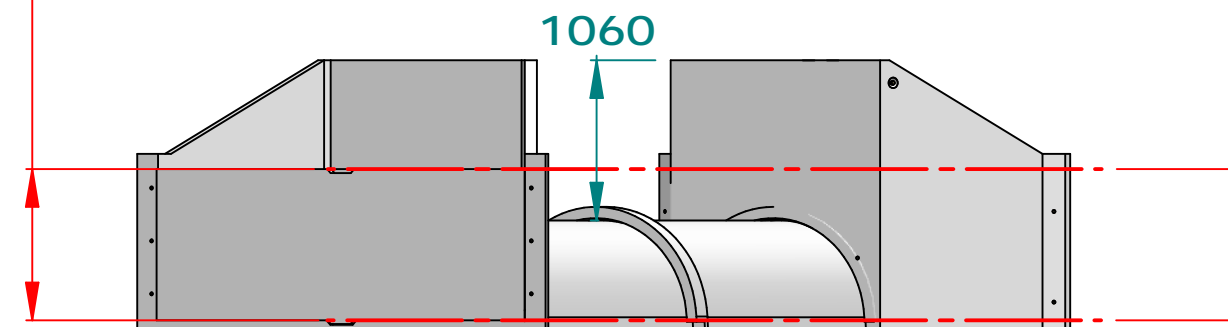
- 2 HH1200 - 1800Hx1100H
- 1 Maxiflow 1200 - Centre - Male-Male
- 3 Maxiflow 1200 - Centre - Female-Male



- 2 HH1200 - 1800Hx1100H
- 1 Maxiflow 1200 - Centre - Male-Male
- 4 Maxiflow 1200 - Centre - Female-Male

0- 1000  
Sill height to  
suit application

Difference in sill level 0- 1000  
to suit application



Upstream/  
inlet

Downstream/  
outlet

- Erosion control wings for the headwall are available and recommended in all applications.
- Different headwall heights are available.
- For different sill level distances to suit your application consult with Padman Stops.
- Longer crossings are available on request.

## HH1200 - 1800Hx1100H - Crossings

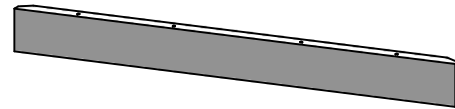
© Padman Stops. This document is and shall remain the property of Padman Stops. Unauthorised use of this document in any form is prohibited. Patents may apply.

All dimensions in millimetres unless otherwise stated.

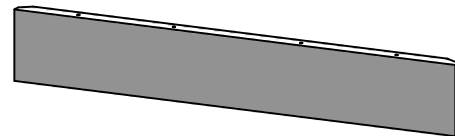
[spadman@padmanws.com.au](mailto:spadman@padmanws.com.au)  
tel. 07 4763 2030



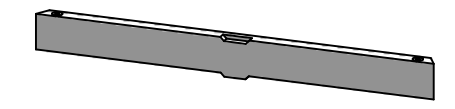
**Padman WATER**  
SOLUTIONS



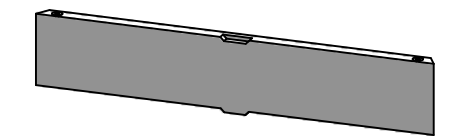
HH1200 - Ratwall 300H



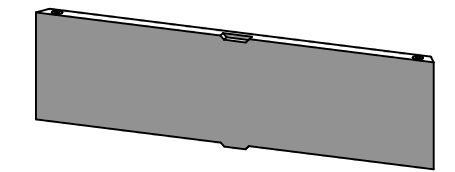
HH1200 - Ratwall 500H



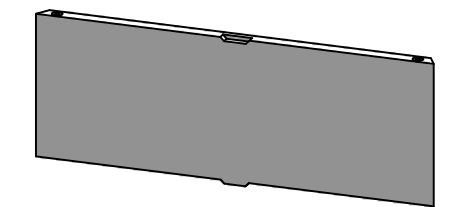
HH1200 - Sill 250H



HH1200 - Sill 500H

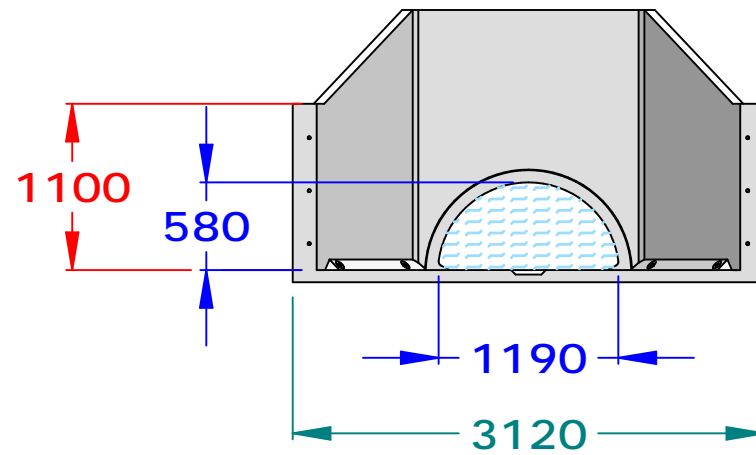


HH1200 - Sill 750H

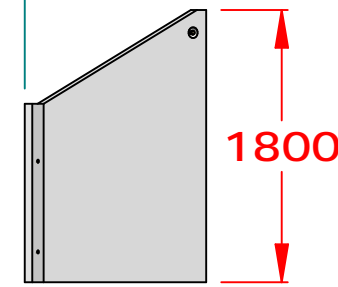


HH1200 - Sill 1000H

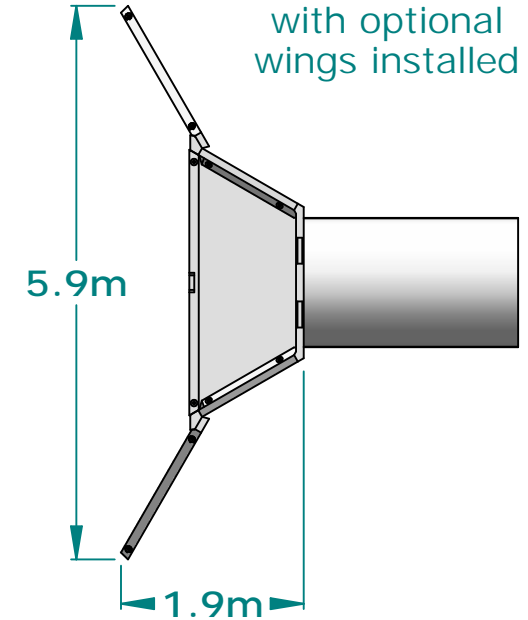
HH1200 - 1800Hx1100H



1200

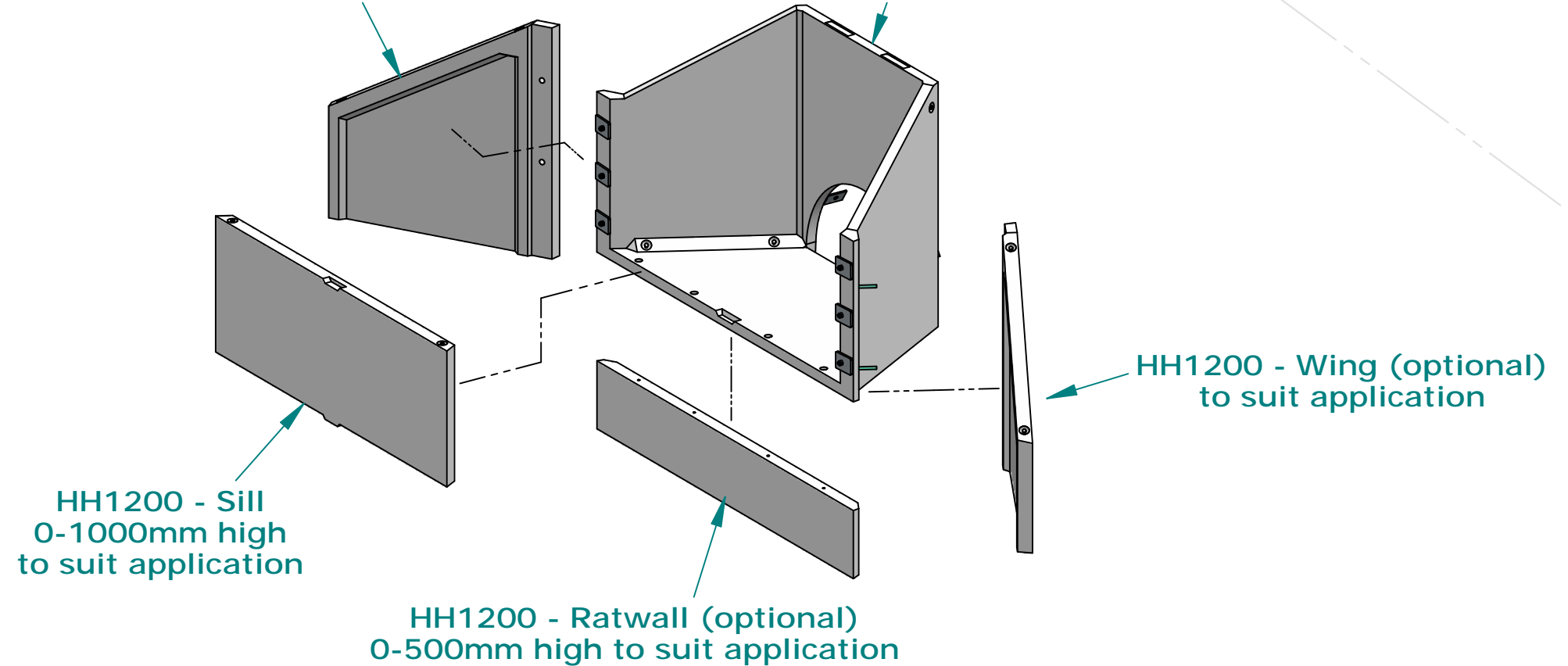


Plan view with optional wings installed



HH1200 - Wing (optional) to suit application

HH1200 - 1800Hx1100H



HH1200 - Sill 0-1000mm high to suit application

HH1200 - Ratwall (optional) 0-500mm high to suit application

HH1200 - Wing (optional) to suit application

# HH1200 - 1800Hx1100H - Options

© Padman Stops. This document is and shall remain the property of Padman Stops. Unauthorised use of this document in any form is prohibited. Patents may apply.

All dimensions in millimetres unless otherwise stated.

[spadman@padmanws.com.au](mailto:spadman@padmanws.com.au)  
tel. 07 4763 2030



**Padman WATER SOLUTIONS**