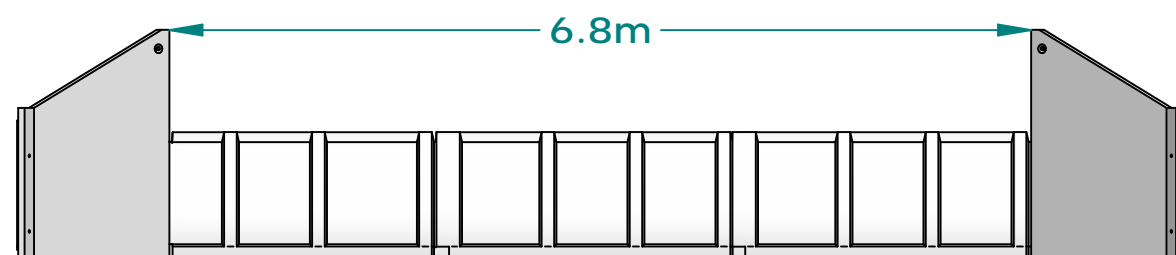
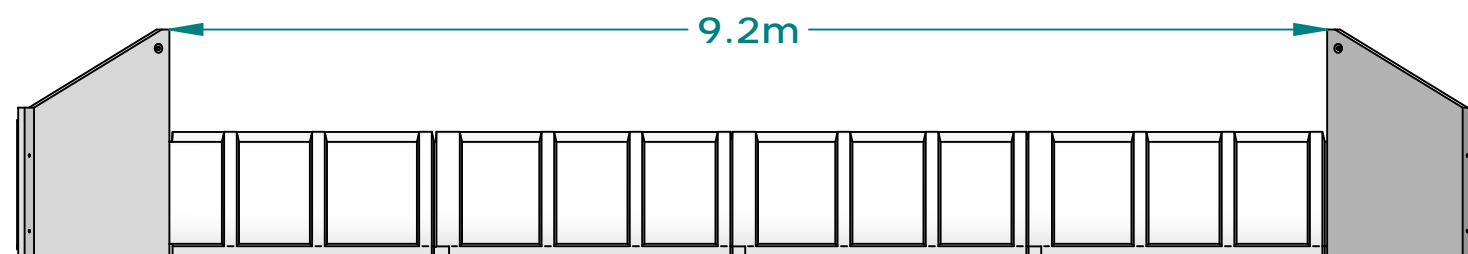


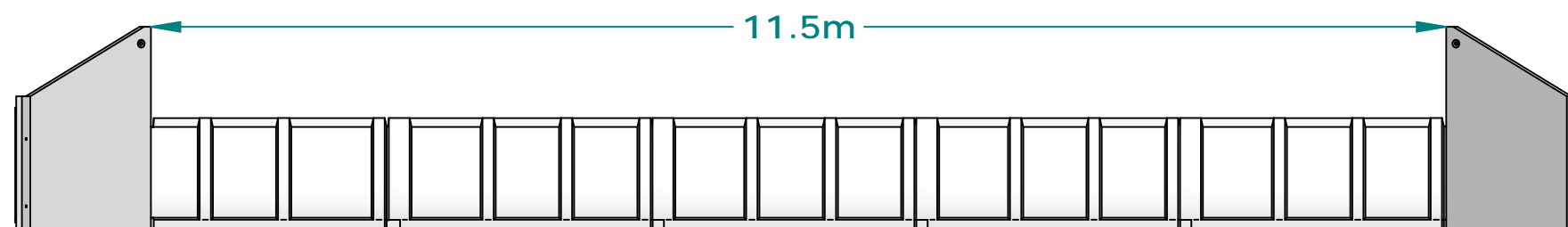
- 2 HH1800 - 1800Hx1100H
- 1 Maxiflow 1800 - Centre - Male-Male
- 1 Maxiflow 1800 - Centre - Female-Male



- 2 HH1800 - 1800Hx1100H
- 1 Maxiflow 1800 - Centre - Male-Male
- 2 Maxiflow 1800 - Centre - Female-Male



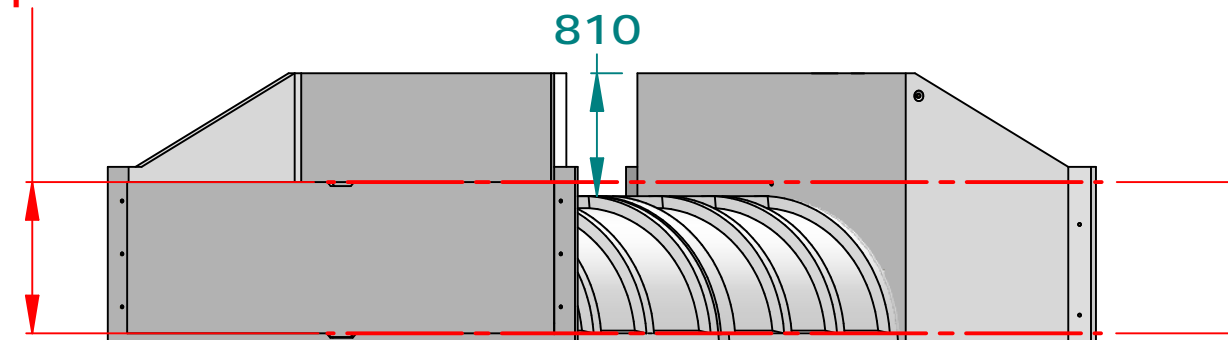
- 2 HH1800 - 1800Hx1100H
- 1 Maxiflow 1800 - Centre - Male-Male
- 3 Maxiflow 1800 - Centre - Female-Male



- 2 HH1800 - 1800Hx1100H
- 1 Maxiflow 1800 - Centre - Male-Male
- 4 Maxiflow 1800 - Centre - Female-Male

0- 1000
Sill height to
suit application

Difference in sill level 0- 1000
to suit application



Upstream/
inlet

Downstream/
outlet

- Erosion control wings for the headwall are available and recommended in all applications.
- Different headwall heights are available.
- For different sill level distances to suit your application consult with Padman Stops.
- Longer crossings are available on request.

HH1800 - 1800Hx1100H - Crossings

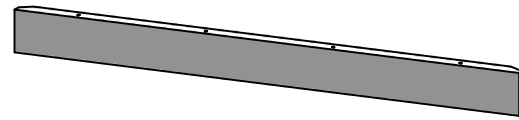
© Padman Stops. This document is and shall remain the property of Padman Stops. Unauthorised use of this document in any form is prohibited. Patents may apply.

All dimensions in millimetres unless otherwise stated.

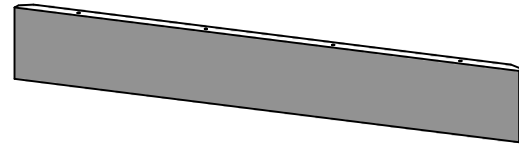
spadman@padmanws.com.au
tel. 07 4763 2030



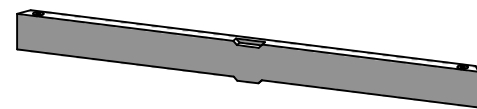
Padman WATER
SOLUTIONS



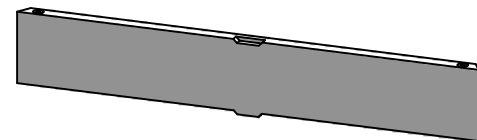
HH1800 - Ratwall 300H



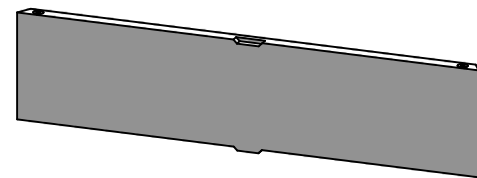
HH1800 - Ratwall 500H



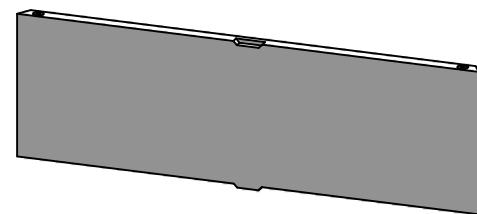
HH1800 - Sill 250H



HH1800 - Sill 500H

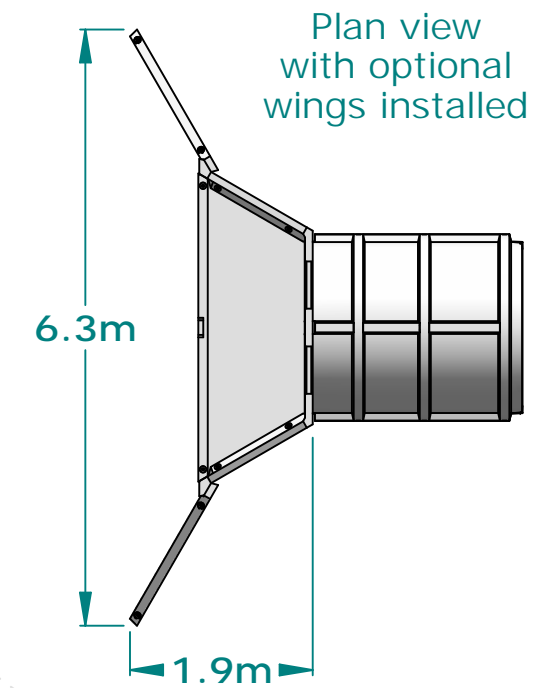
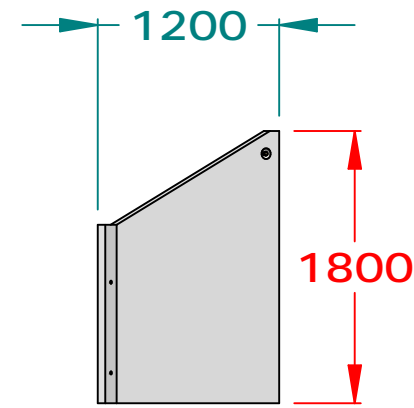
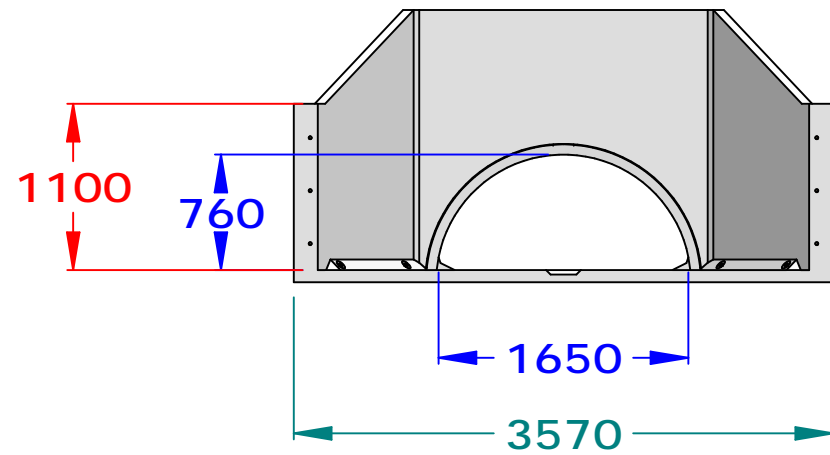


HH1800 - Sill 750H



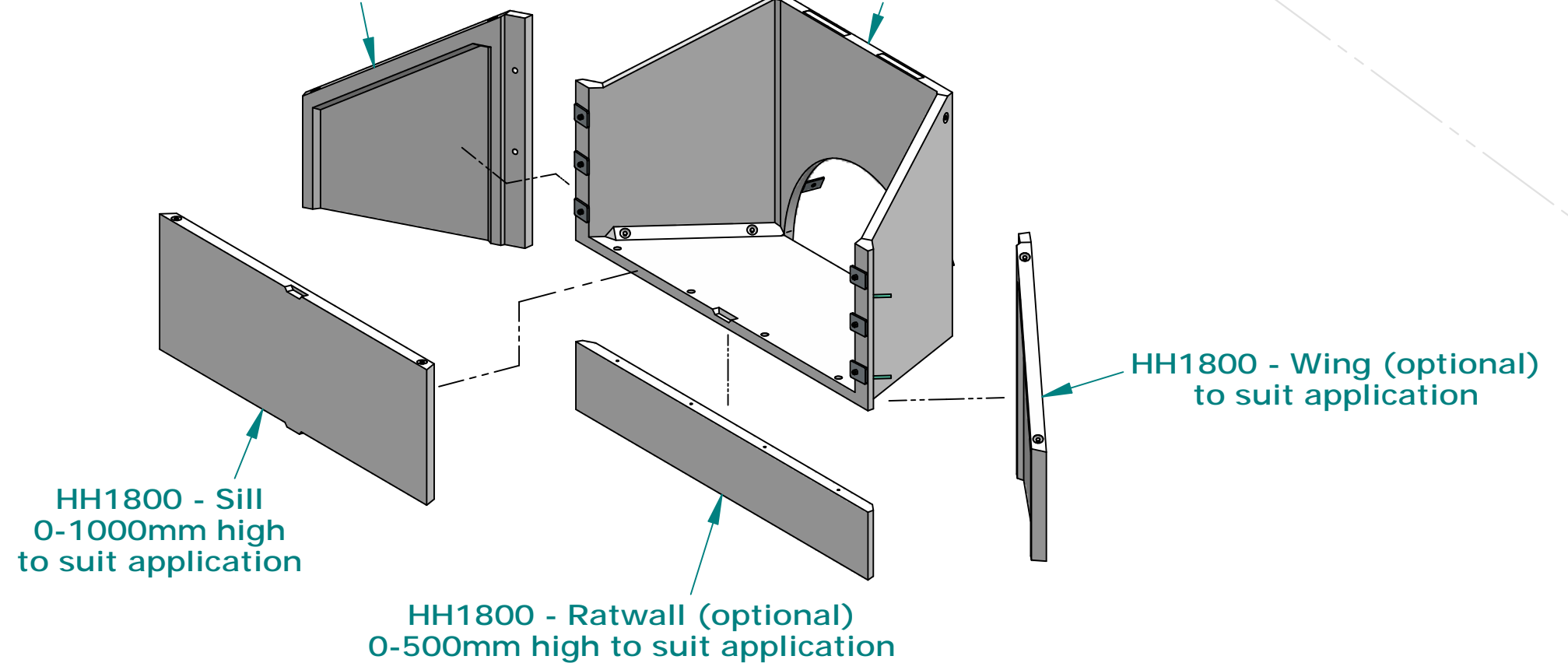
HH1800 - Sill 1000H

HH1800 - 1800Hx1100H



HH1800 - Wing (optional) to suit application

HH1800 - 1800Hx1100H



HH1800 - 1800Hx1100H - Options

© Padman Stops. This document is and shall remain the property of Padman Stops. Unauthorised use of this document in any form is prohibited. Patents may apply.

All dimensions in millimetres unless otherwise stated.

spadman@padmanws.com.au
tel. 07 4763 2030



Padman WATER SOLUTIONS