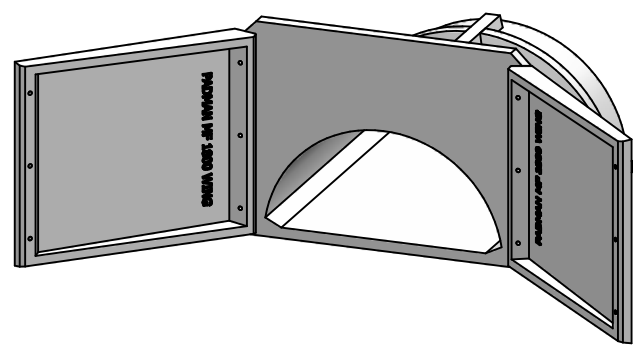
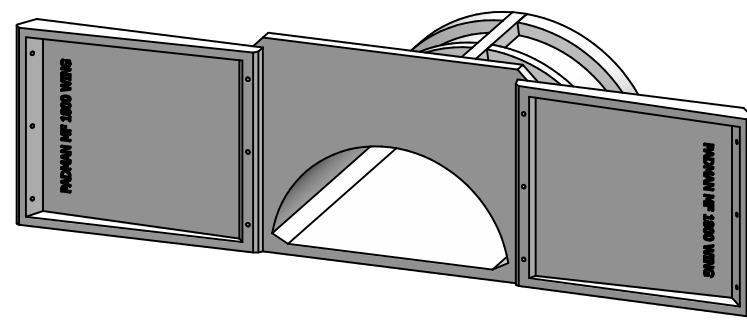


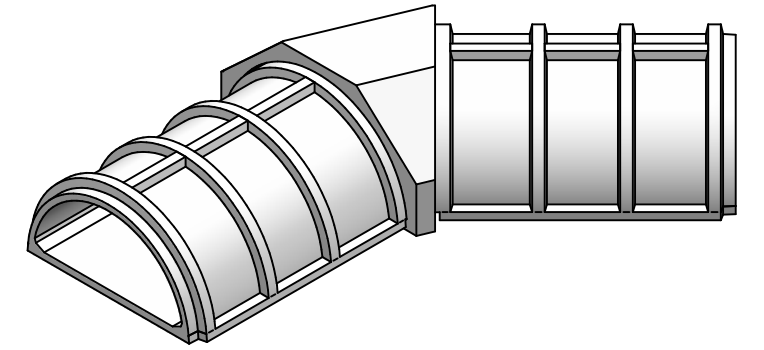
MF 1800 - Wing, to reduce erosion around the headwall



Maxiflow 1800 - Headwall - Male with Wings on 45 degree



Maxiflow 1800 - Headwall - Male with Wings parallel



Maxiflow 1800 - Elbow 45 degree For applications with a change in direction of water flow

# Maxiflow 1800 - Options - PWS

© Padman Stops. This document is and shall remain the property of Padman Stops. Unauthorised use of this document in any form is prohibited. Patents may apply.

All dimensions in millimetres unless otherwise stated.

[info@padmanstops.com.au](mailto:info@padmanstops.com.au)  
tel. 03 5874 5282



File path : C:\Work\Customers\Padman Stops\Product Dimensions - 2020\Maxiflow 1800\Maxiflow 1800 - Standard Headwall\Maxiflow 1800 - Options - PWS.dft