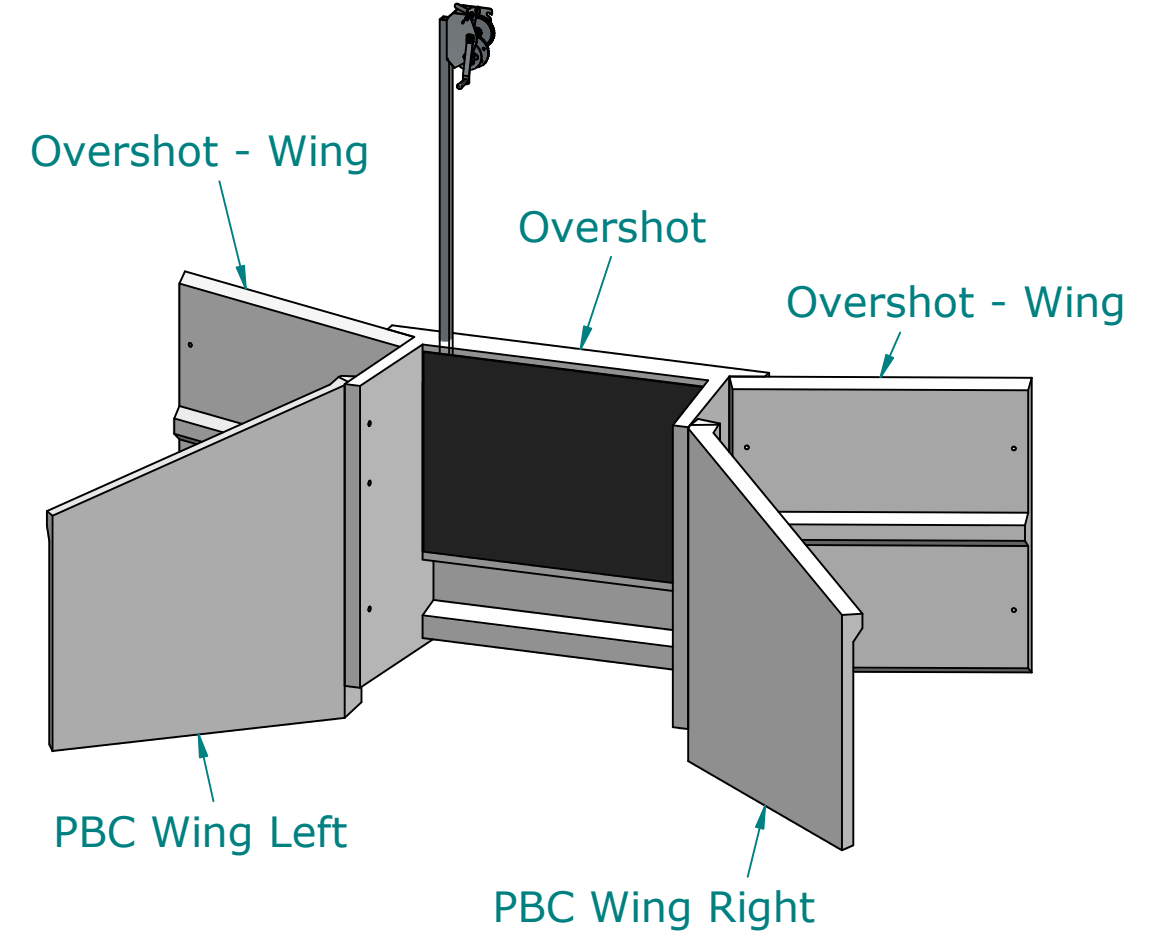
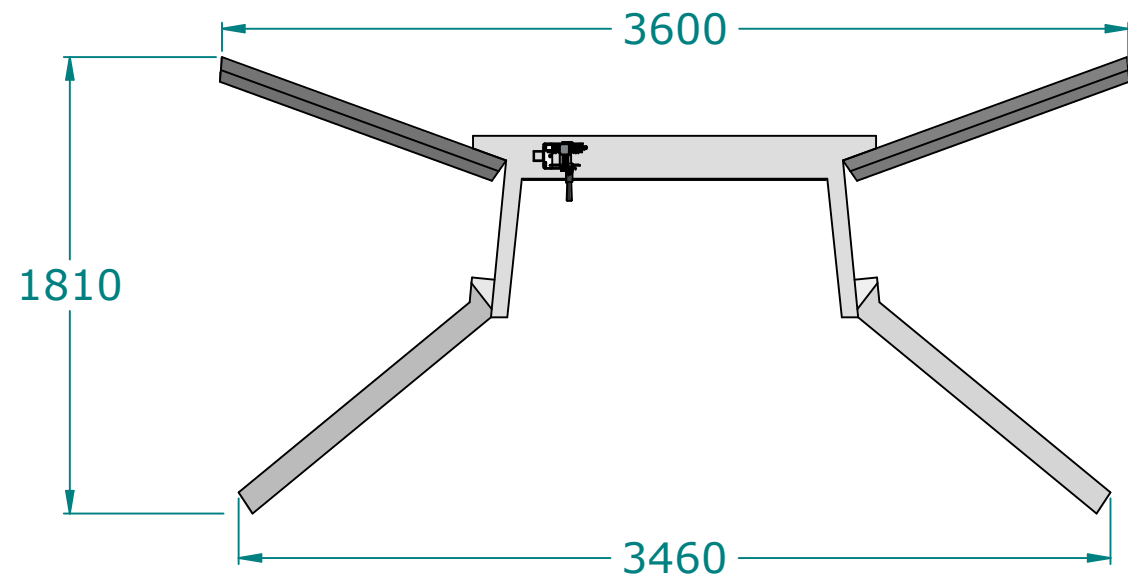
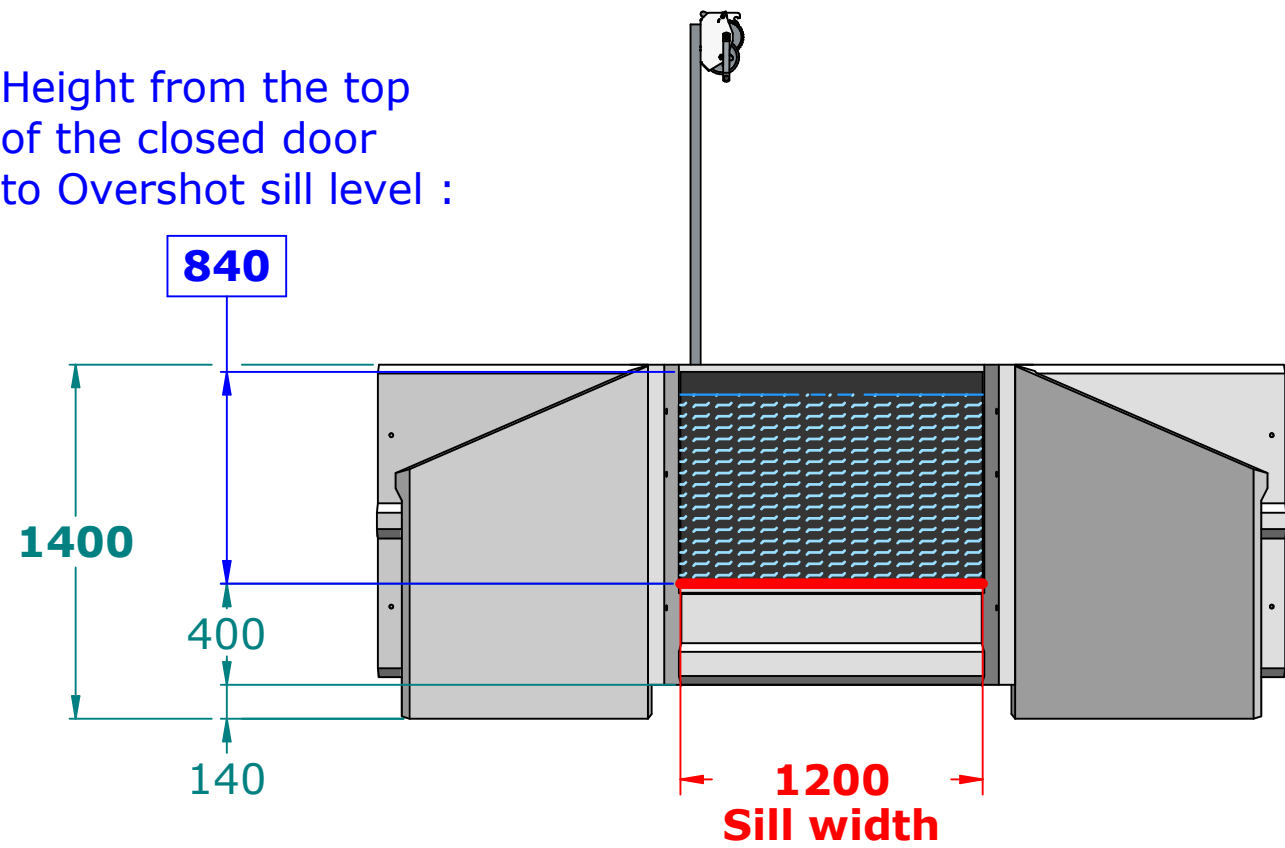


Top view



Overshot - Wings up- & downstream
General arrangement

Height from the top of the closed door to Overshot sill level :



Downstream view

- Recommended is 100mm of freeboard on the upstream side of the rubber door.

Overshot - Wings up- & downstream

© Padman Stops. This document is and shall remain the property of Padman Stops. Unauthorised use of this document in any form is prohibited. Patents may apply.

All dimensions in millimetres unless otherwise stated.

info@padmanstops.com.au
tel. 03 5874 5282

