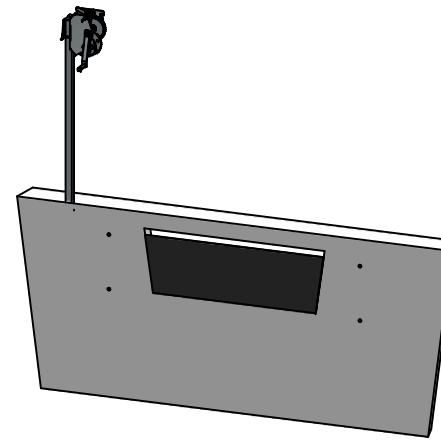
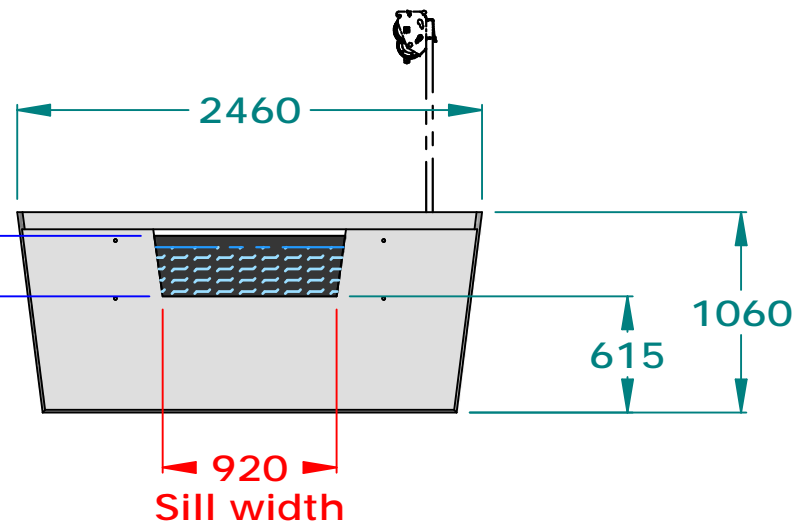
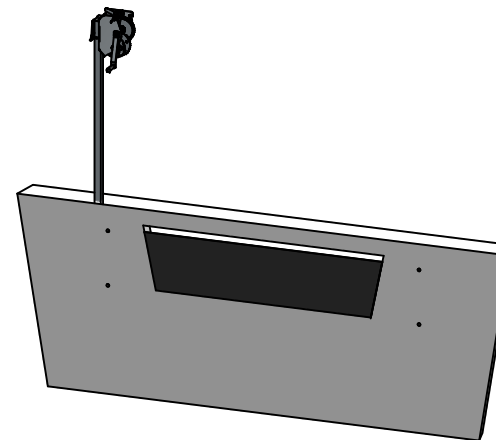
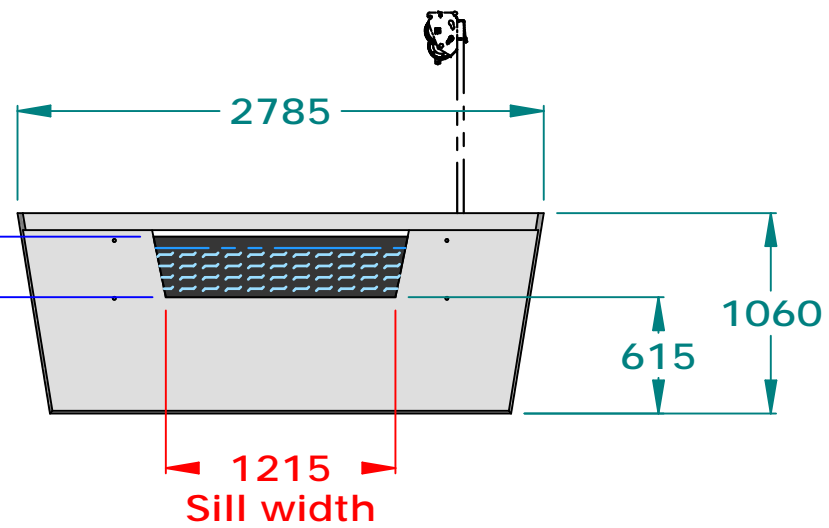


320
Top of
closed door

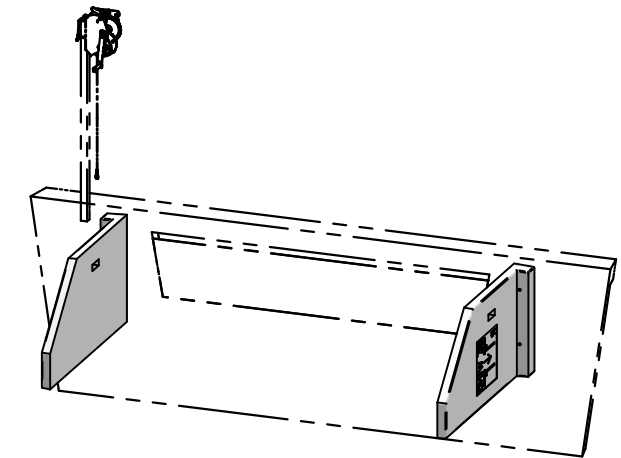


B3 Flat Stop

320
Top of
closed door

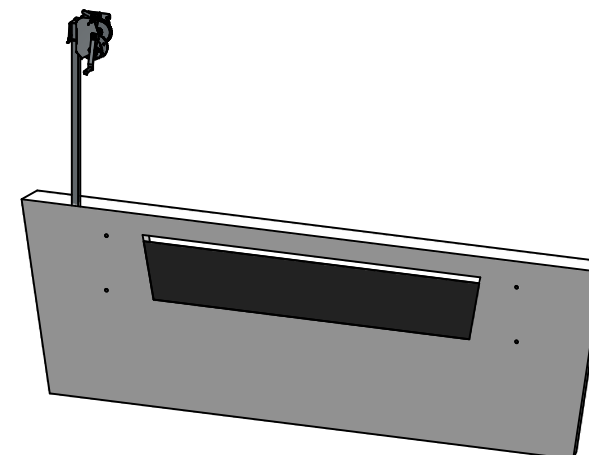
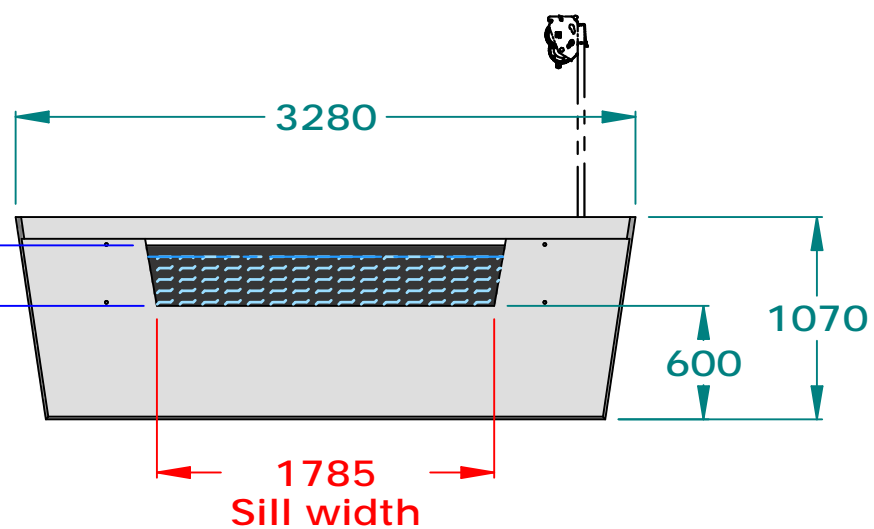


B4 Flat Stop



Downstream Buttress Wings
are optional but recommended

320
Top of
closed door



B6 Flat Stop

- Recommended is 100mm of freeboard on the upstream side of the rubber door.

B Series Flat Stops

© Padman Stops. This document is and shall remain the property of Padman Stops. Unauthorised use of this document in any form is prohibited. Patents may apply.

All dimensions in millimetres unless otherwise stated.

info@padmanstops.com.au
tel. 03 5874 5282

