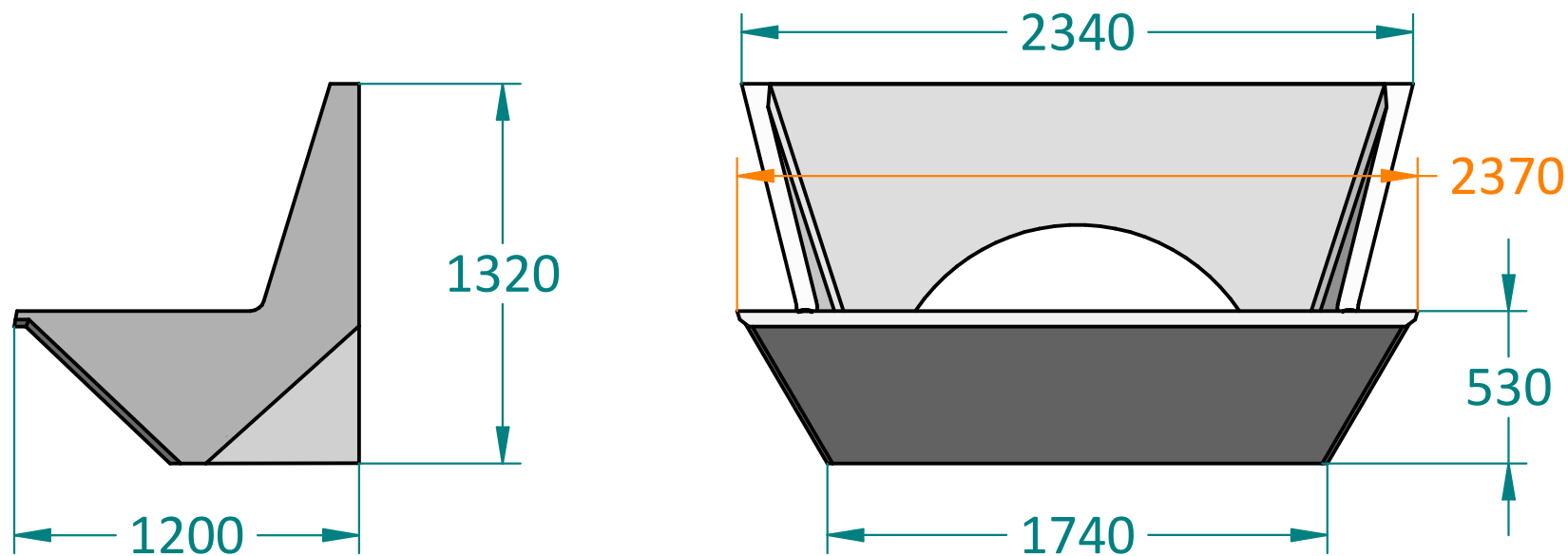
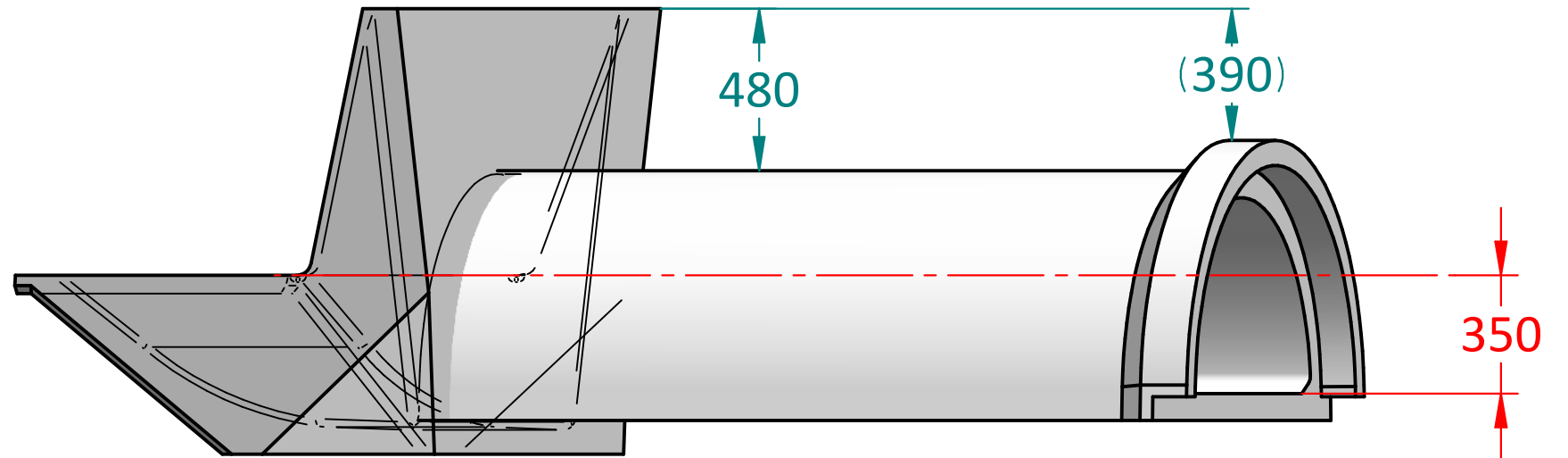


Broken out view of the bubbler



The dimension in red gives the distance from the PE 900 bubbler sill level to the INVERT of the Maxiflow.

The dimension in green gives the distance from the top of the PE 900 bubbler to the top of the Maxiflow.

Pipe holes or different positions for the Maxiflow are available on request.

## PE 900 bubbler Maxiflow 1200

© Padman Stops. This document is and shall remain the property of Padman Stops. Unauthorised use of this document in any form is prohibited. Patents may apply.

Dimensions in mm. unless otherwise stated.

[info@padmanstops.com.au](mailto:info@padmanstops.com.au)  
tel. 03 5874 5282

# Padman Stops

Innovative Irrigation Solutions

