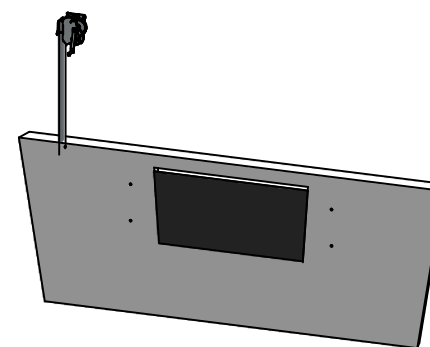
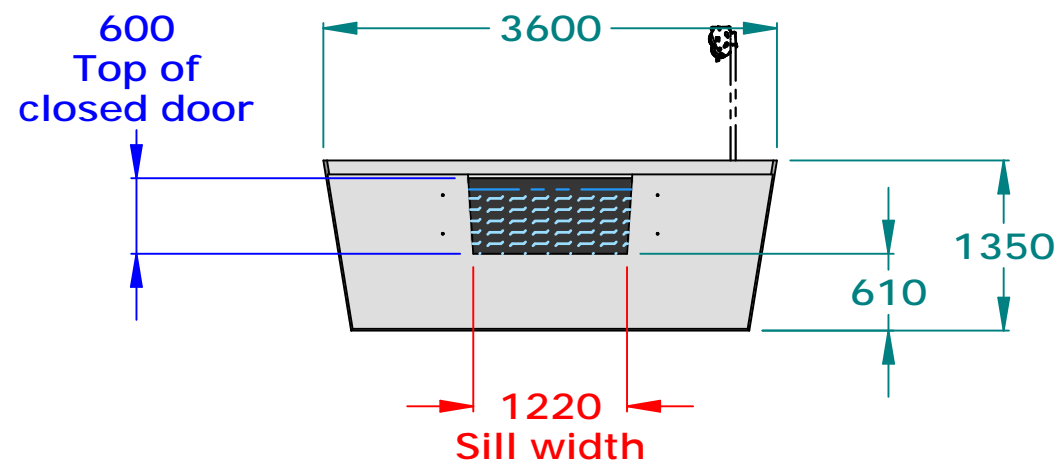
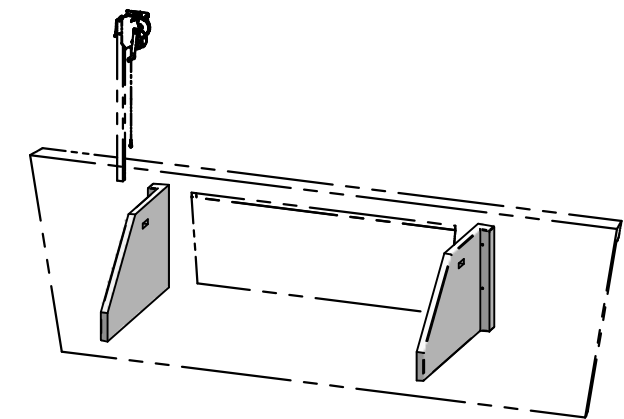


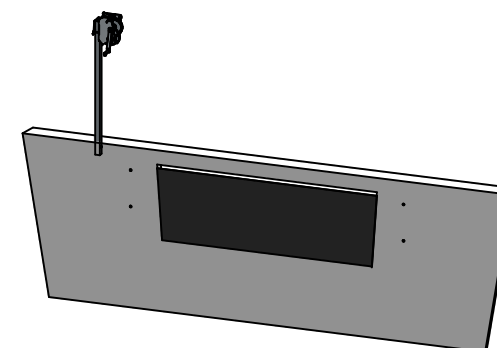
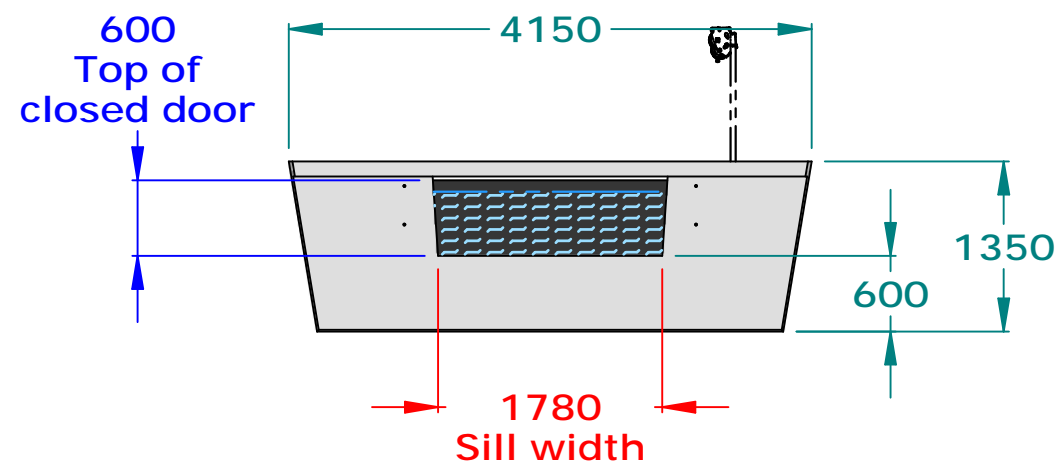
D3 Flat Stop



D4 Flat Stop



Downstream Buttress Wings
are optional but recommended



D6 Flat Stop

- Recommended is 100mm of freeboard on the upstream side of the rubber door.

D3 - D4 - D6 Flat Stops

© Padman Stops. This document is and shall remain the property of Padman Stops. Unauthorised use of this document in any form is prohibited. Patents may apply.

All dimensions in millimetres unless otherwise stated.

info@padmanstops.com.au
tel. 03 5874 5282



Padman **STOPS**
The FARMERS Friend