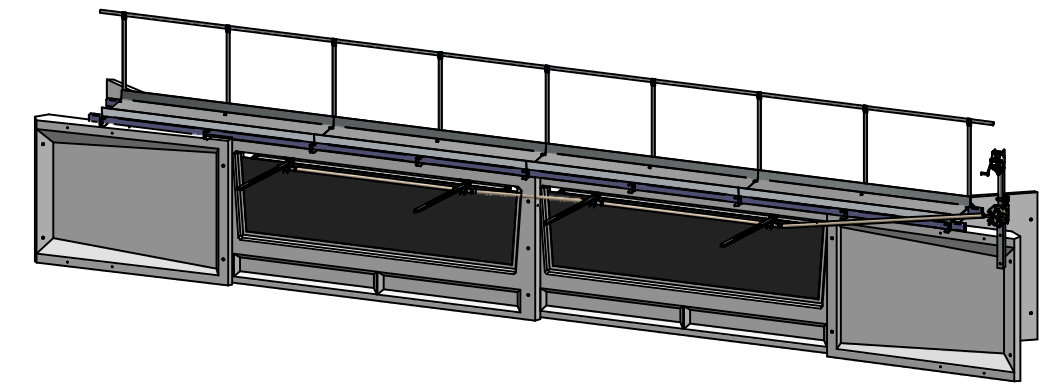
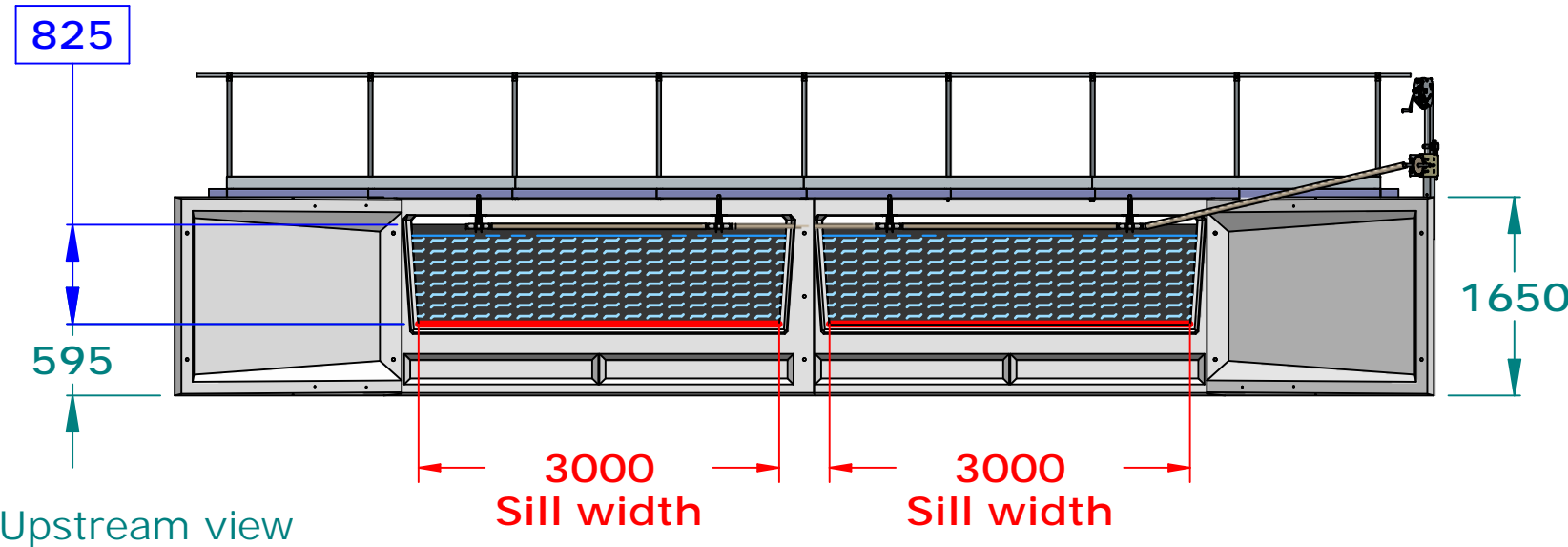
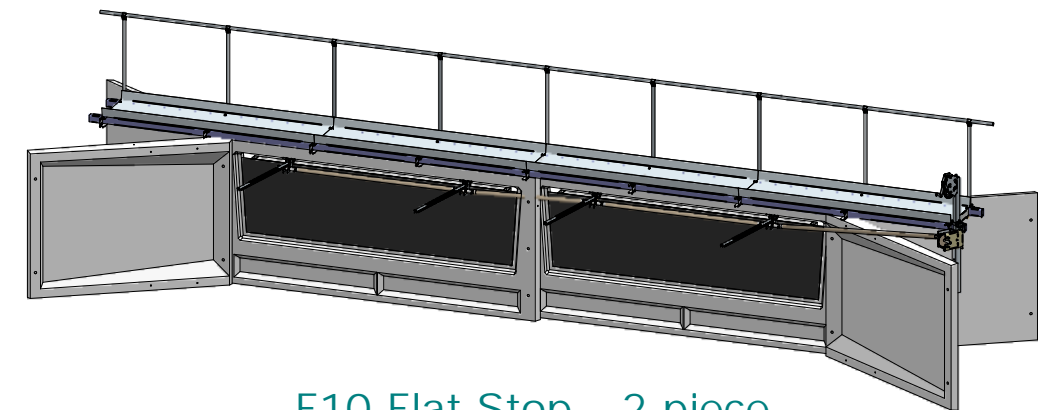


Height from the top of the closed door to F10 Flat Stop sill level :



F10 Flat Stop - 2 piece
Wings 33 degree & parallel



F10 Flat Stop - 2 piece
Wings 33 degree

- Recommended is 100mm of freeboard on the upstream side of the rubber door.
- Wings can be placed either on 33 degree or parallel to suit your application.

F10 Flat Stop - 2 piece - PosiDrive

© Padman Stops. This document is and shall remain the property of Padman Stops. Unauthorised use of this document in any form is prohibited. Patents may apply.

All dimensions in millimetres unless otherwise stated.

info@padmanstops.com.au
tel. 03 5874 5282

