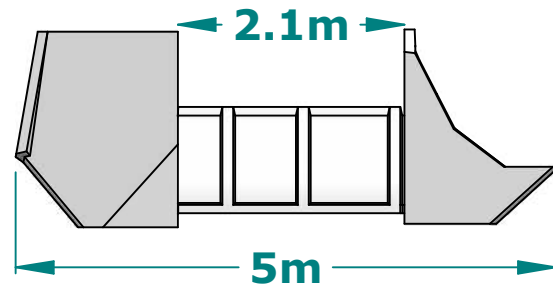


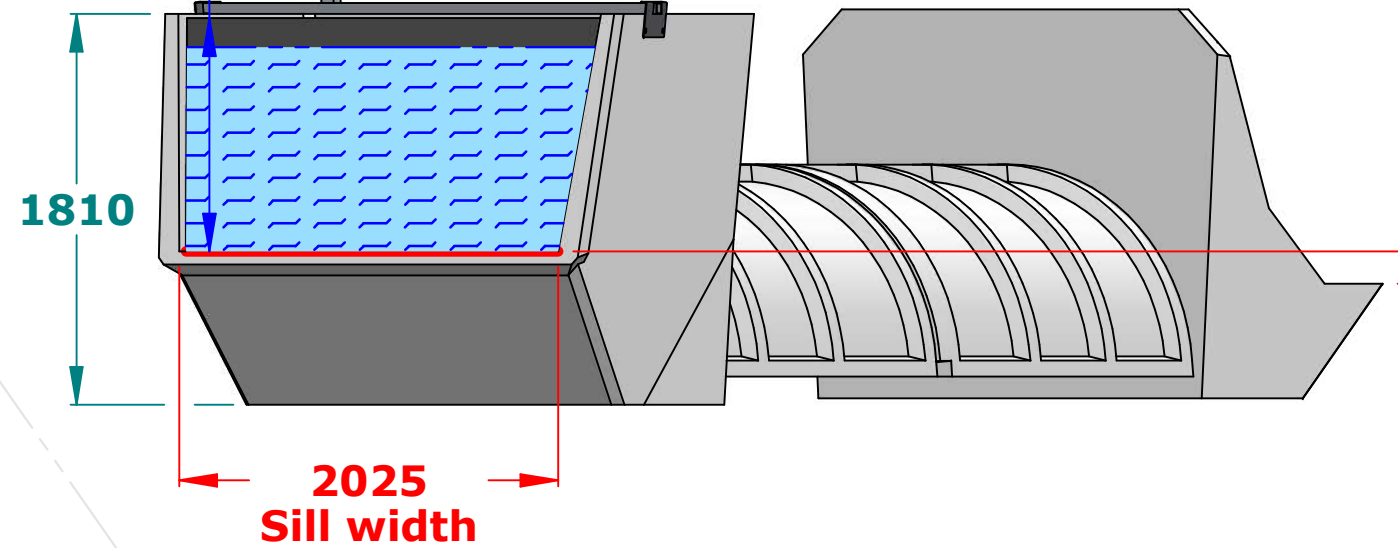
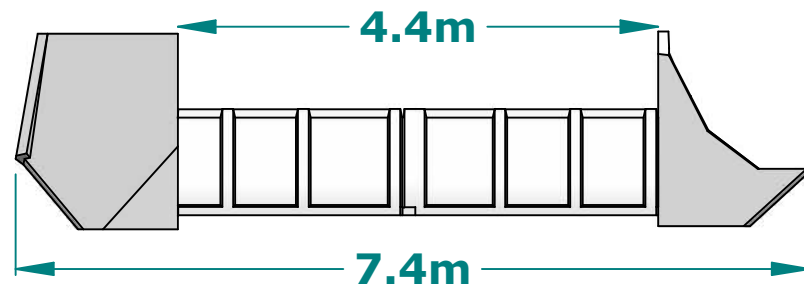
- PE 1000-1000
- 1 MF 1800
- PE 1000 Bubbler



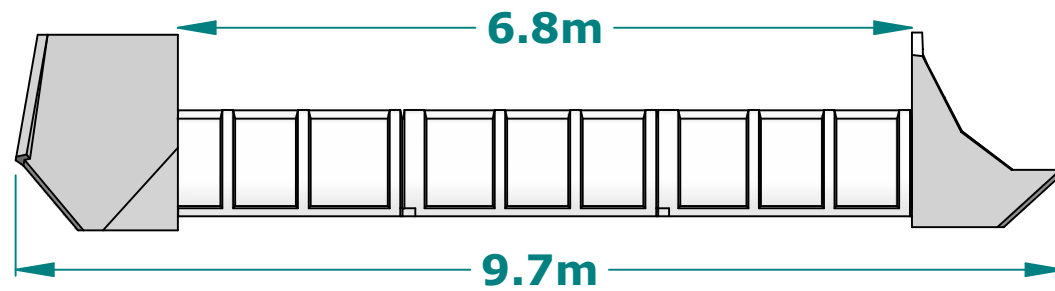
Height from the top of the closed door to PE 1000-1000 sill level : **1050**

Distance from PE 1000-1000 sill level to PE 1000 Bubbler sill level : **150**

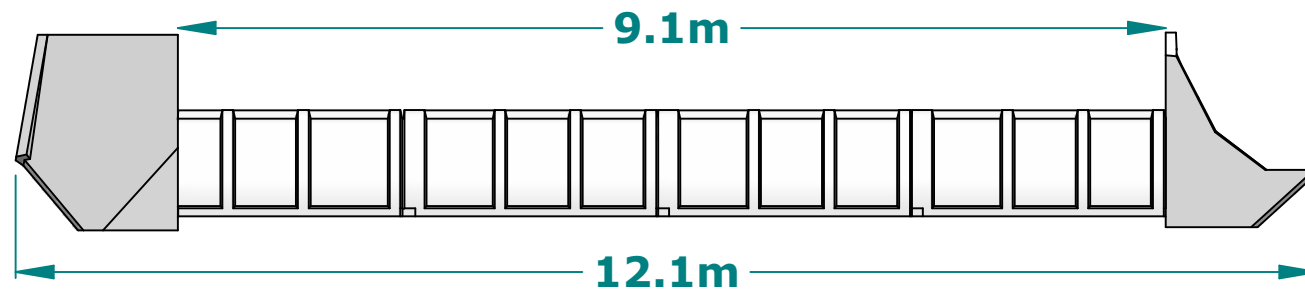
- PE 1000-1000
- 2 MF 1800
- PE 1000 Bubbler



- PE 1000-1000
- 3 MF 1800
- PE 1000 Bubbler

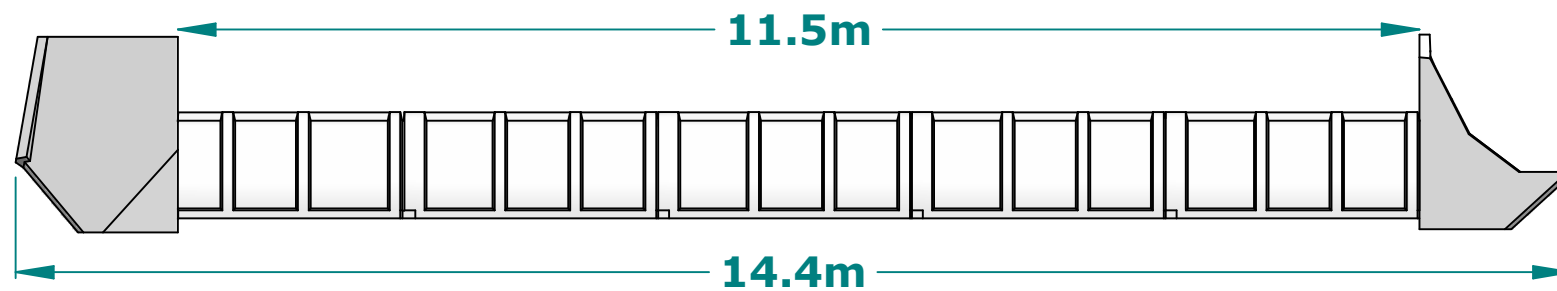


- PE 1000-1000
- 4 MF 1800
- PE 1000 Bubbler



- Recommended is 100mm of freeboard on the upstream side of the rubber door.

- PE 1000-1000
- 5 MF 1800
- PE 1000 Bubbler



- For different sill level distances to suit your application consult with Padman Stops.

- Longer crossings are available on request.

PE 1000-1000 - MF 1800 - PE 1000 Bubbler

© Padman Stops. This document is and shall remain the property of Padman Stops. Unauthorised use of this document in any form is prohibited. Patents may apply.

All dimensions in millimetres unless otherwise stated.

info@padmanstops.com.au
tel. 03 5874 5282

