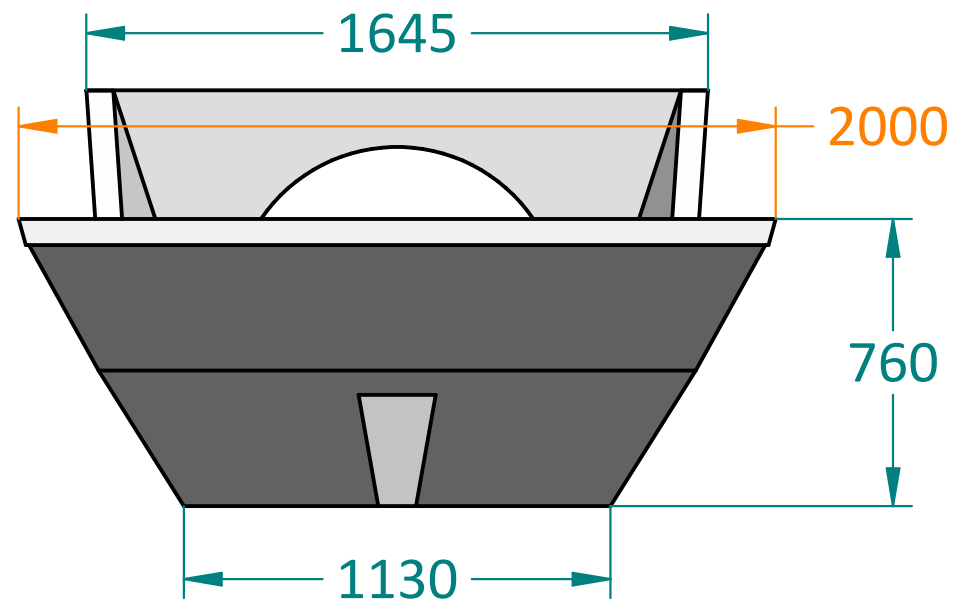
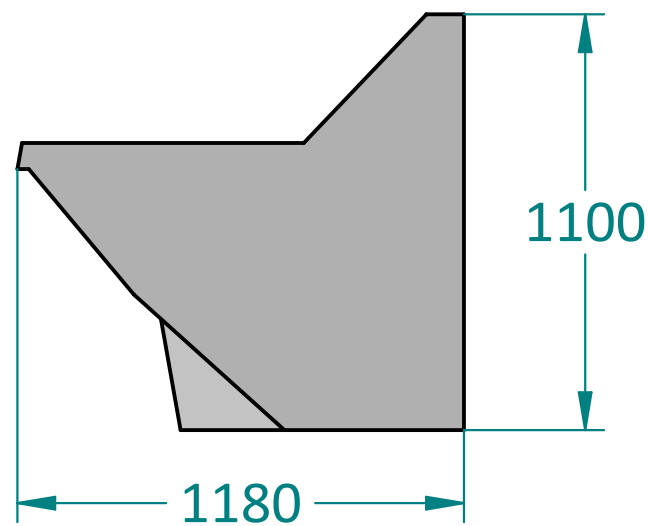
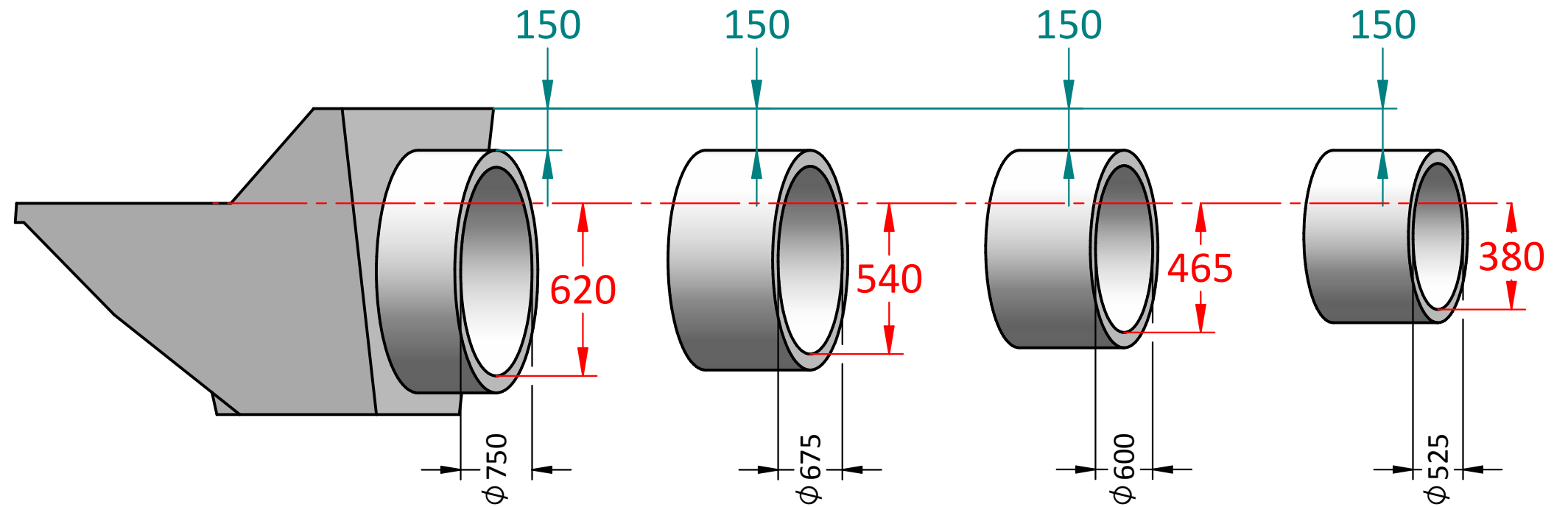


Broken out view of the bubbler



The dimension in red gives the distance from the PE 750 bubbler sill level to the INVERT of the pipe.

The dimension in green gives the distance from the top of the PE 750 bubbler to the top of the pipe.

The dimensions in black refer to the INNER diameter of the pipe.

## PE 750 bubbler

© Padman Stops. This document is and shall remain the property of Padman Stops. Unauthorised use of this document in any form is prohibited. Patents may apply.

Dimensions in mm.  
unless otherwise stated.

[info@padmanstops.com.au](mailto:info@padmanstops.com.au)  
tel. 03 5874 5282

# Padman Stops

Innovative Irrigation Solutions

