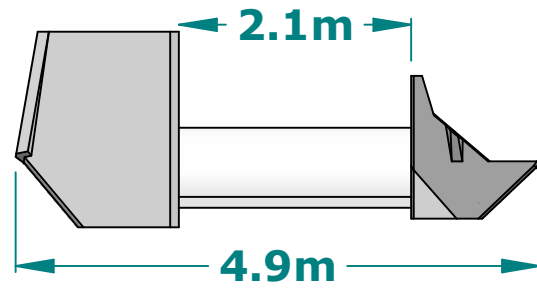


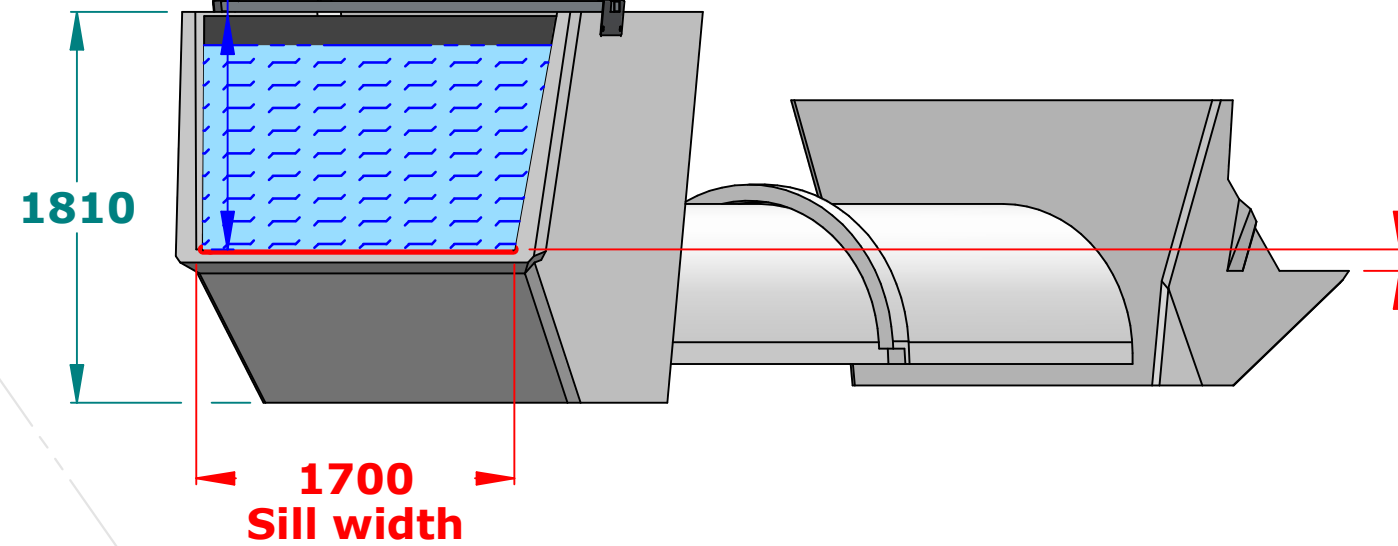
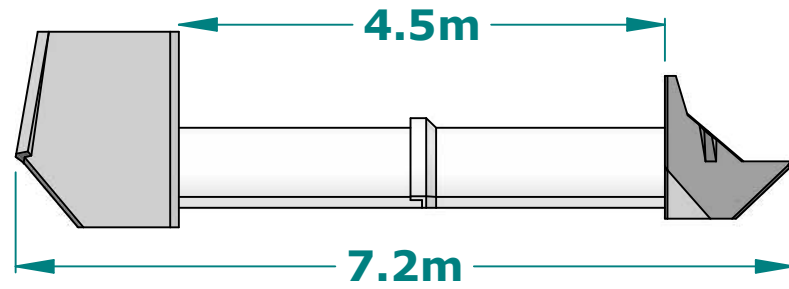
- PE 900-1000
- 1 MF 1200
- PE 900 Bubbler



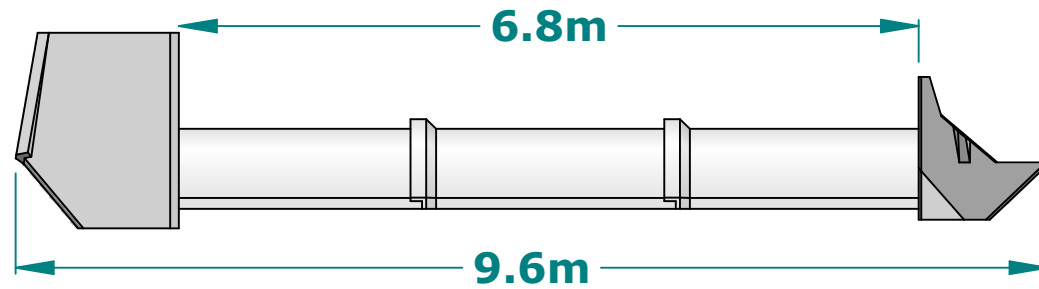
Height from the top of the closed door to PE 900-1000 sill level : **1050**

Distance from PE 900-1000 sill level to PE 900 Bubbler sill level : **100**

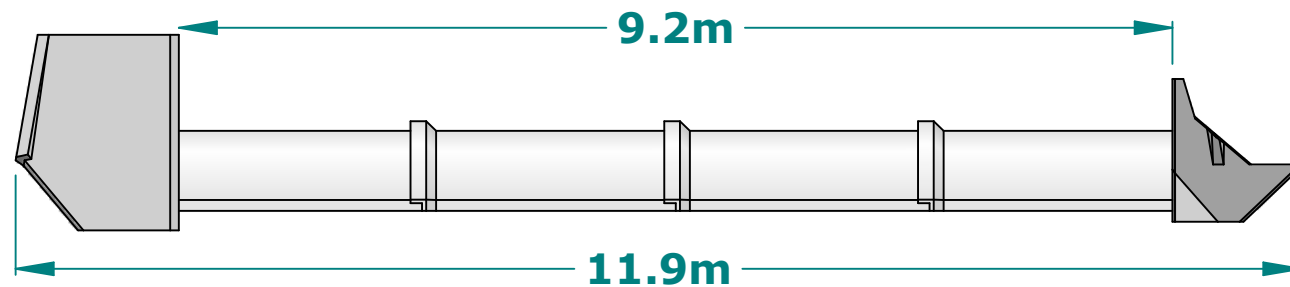
- PE 900-1000
- 2 MF 1200
- PE 900 Bubbler



- PE 900-1000
- 3 MF 1200
- PE 900 Bubbler

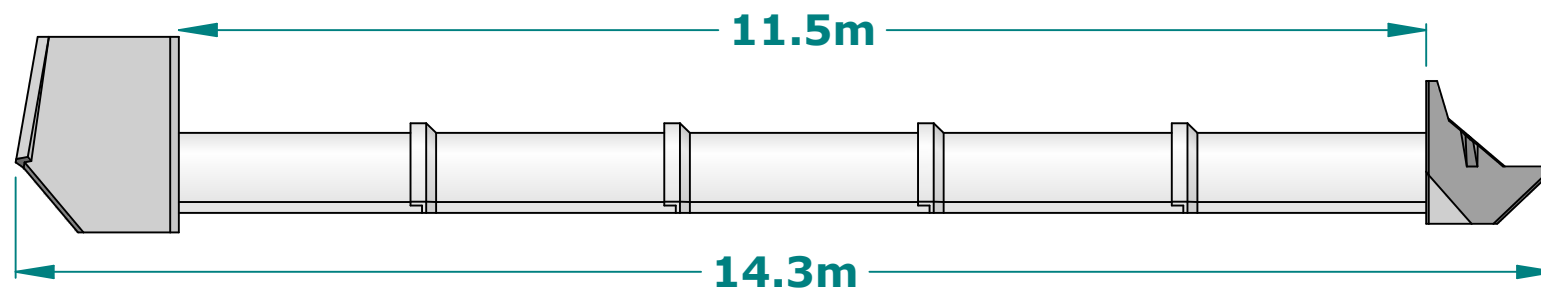


- PE 900-1000
- 4 MF 1200
- PE 900 Bubbler



- Recommended is 100mm of freeboard on the upstream side of the rubber door.

- PE 900-1000
- 5 MF 1200
- PE 900 Bubbler



- For different sill level distances to suit your application consult with Padman Stops.

- Longer crossings are available on request.

PE 900-1000 - 450 B-S - MF 1200 - PE 900 Bubbler

© Padman Stops. This document is and shall remain the property of Padman Stops. Unauthorised use of this document in any form is prohibited. Patents may apply.

All dimensions in millimetres unless otherwise stated.

info@padmanstops.com.au
tel. 03 5874 5282

