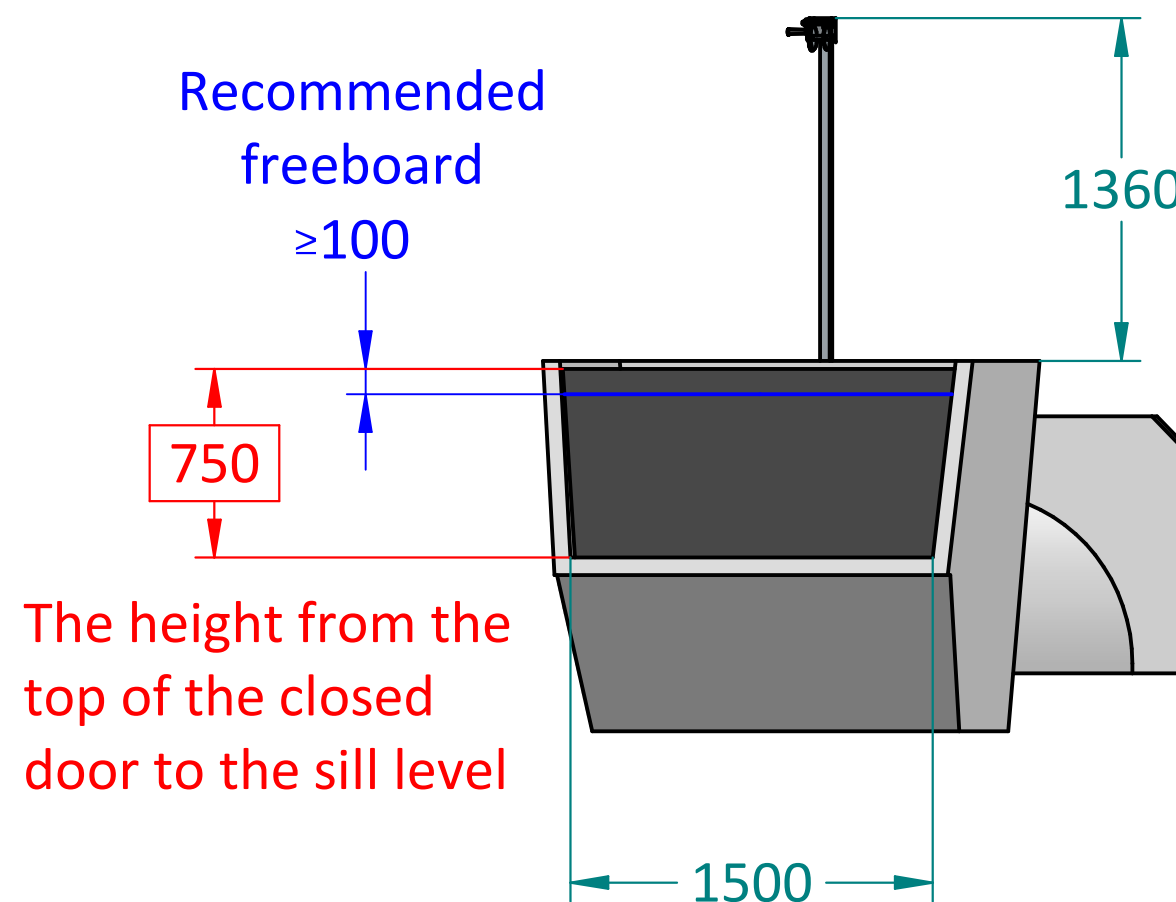


PE 900 450B/S
(450 Below Sill)



We guarantee 100% rubber ring joint (RRJ) seal when using MC pipes.

PE 900 450B_S, 3 off Maxiflow 1200

Dimensions in mm.

Tolerance ± 10 mm. unless otherwise stated

Padman Stops 

Innovative Irrigation Solutions

info@padmanstops.com.au tel. 03 5874 5282

© Padman Stops. This document is and shall remain the property of Padman Stops. Unauthorised use of this document in any form is prohibited. Patents may apply.