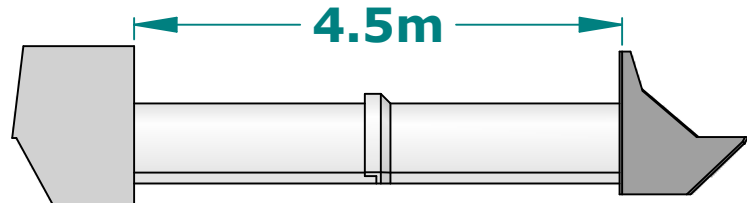
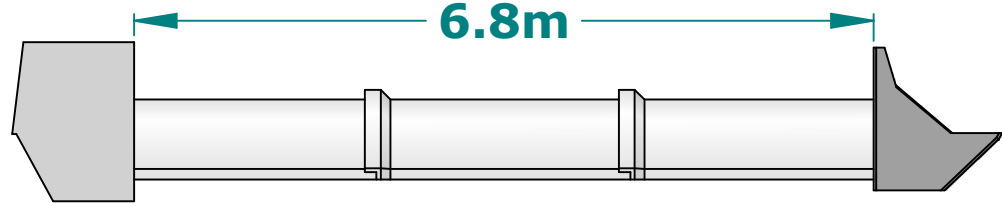


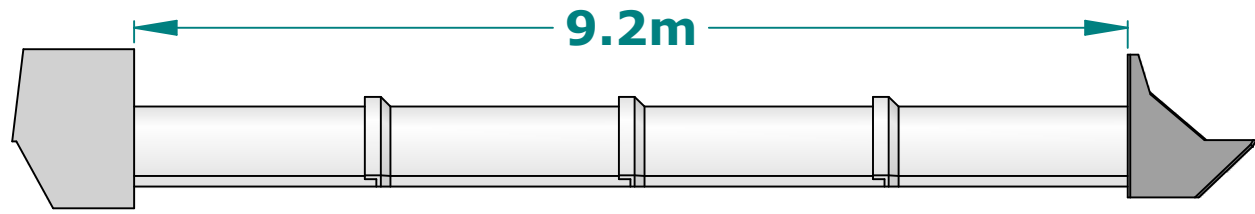
PE 900 - 1 MF 1200 - PE 900 bubbler



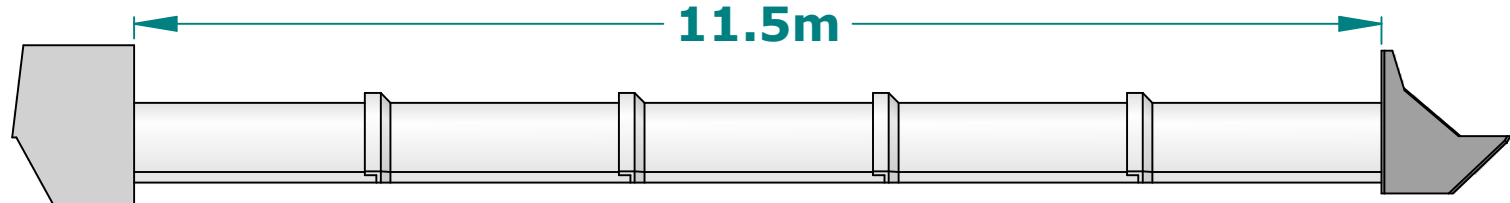
PE 900 - 2 MF 1200 - PE 900 bubbler



PE 900 - 3 MF 1200 - PE 900 bubbler



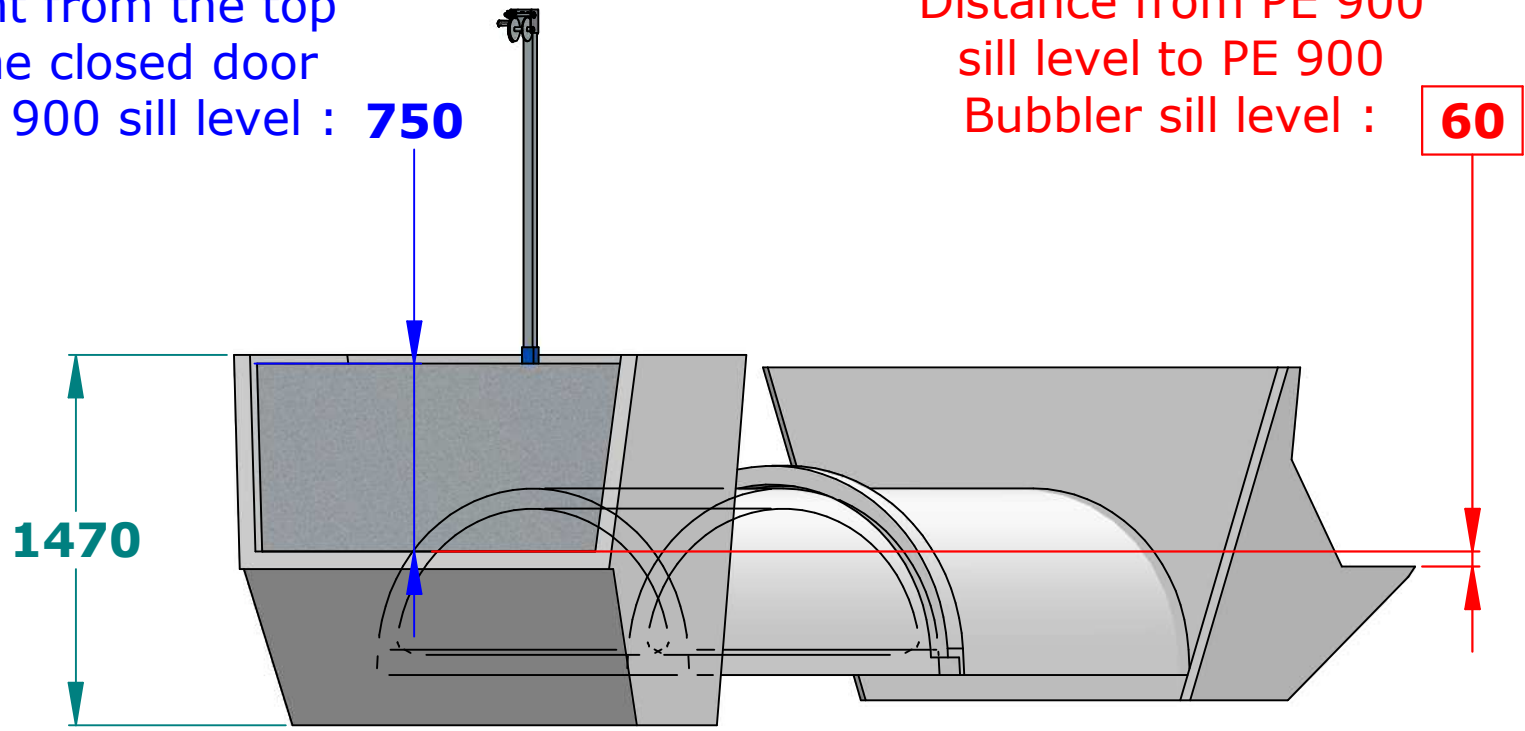
PE 900 - 4 MF 1200 - PE 900 bubbler



PE 900 - 5 MF 1200 - PE 900 bubbler

Height from the top of the closed door to PE 900 sill level : **750**

Distance from PE 900 sill level to PE 900 Bubbler sill level : **60**



- Recommended is 100mm of freeboard on the upstream side of the rubber door.
- For different sill level distances to suit your application consult with Padman Stops.
- Longer crossings are available on request.

PE 900 - MF 1200 - PE 900 Bubbler

© Padman Stops. This document is and shall remain the property of Padman Stops. Unauthorised use of this document in any form is prohibited. Patents may apply.

All dimensions in millimetres unless otherwise stated.

info@padmanstops.com.au
tel. 03 5874 5282

